

EV650

ELEVATING, FOUR WAY FLOAT TOP TABLE

The Universal EV650 is built to demanding hospital quality standards and is ideally suited for any hospital or busy imaging center.

Effortless patient positioning is achieved with the rack and pinion motor drives for smooth, quiet table elevation while the precision roller bearing system allows the floating table top to glide freely.

The EV650 is configurable with any Universal tube and/or wall stand for a complete imaging suite.

Product Features

- 650lb (295kg) patient weight limit
- Smooth, quiet table operation with rack and pinion motor drive
- Integral collision sensors
- Heavy-duty electric table locks with foot treadle release
- All steel structure and welded base provides maximum strength and reliability
- Stain resistant fiber resin top
- Configurable for analog or digital imaging



Universal

EV650

ELEVATING, FOUR WAY FLOAT TOP TABLE

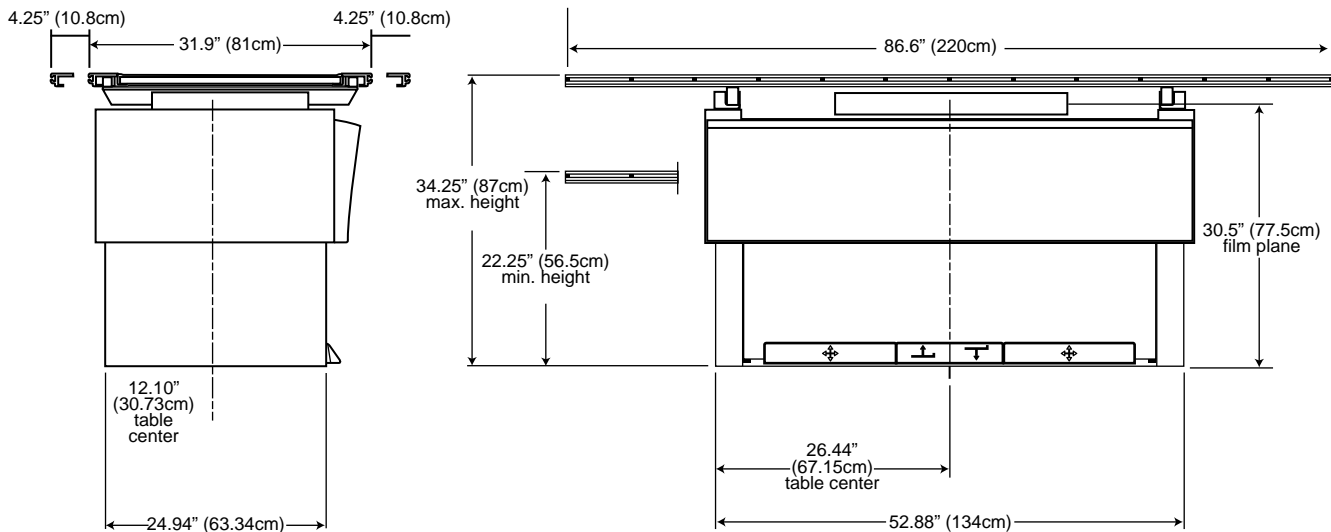


Technical Specifications

Load capacity:	650lb (295kg)
Base length:	52.88" (134cm)
Base width:	24.94" (63.34cm)
Table top movement:	Longitudinal $\pm 21.25"$ (54cm) Transverse $\pm 4.5"$ (11.4cm)
Variable height:	22.25" (56.5cm) to 34.25" (87cm)
Bucky travel:	± 10.5 (26.7cm) <i>Some flat panel DR detectors may have some affect on table bucky travel.</i>
Top length, standard:	86.5" (220cm)
-optional	78" (198cm)
Top width, standard:	31.9" (81cm)
Table weight:	563lb (256kg)
Aluminum equivalency:	0.7mm
Power Requirements:	120 VAC or 230-240 VAC

Product Options

- 17" x 17" (43cm x 43cm) grid cabinet or bucky
- Deluxe, heavy-duty manual cassette tray
- Size-sensing cassette tray with PBL interface
- Ion chamber (AEC)
- Tableside hand control
- 78" (198cm) table top length
- Carbon fiber composite tabletop, (0.4mm Al. eq. @ 100kVp).
- Variety of grid options
- Lateral cassette holder
- Compression device
- Patient hand grips



DEL MEDICAL

Toll Free: (800) 800-6006
 Fax: (847) 288-7011
 Email: info@delmedical.com
 www.delmedical.com
 241 Covington Drive, Bloomingdale, IL 60108



Universal branded products are manufactured and distributed by UMG/Del Medical. Del Medical is an ISO 13485 & ISO 9001 Certified facility. Specifications are subject to change without notice.



Toll Free: (800) 261-9808
 Fax: (914) 835-6111
 Email: info@umgxray.com
 www.umgxray.com
 28 Calvert Street, Harrison, NY 10528